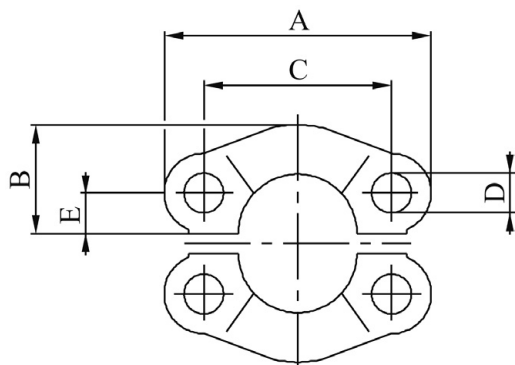


ACCESSORIES

# O83308

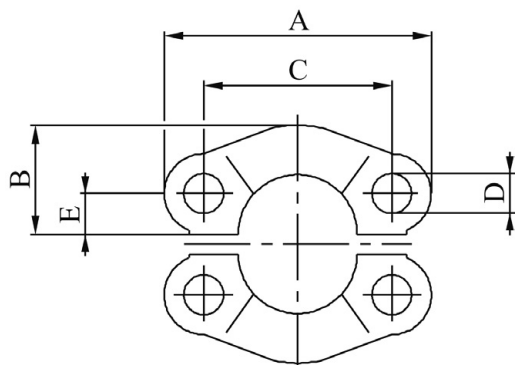


ISO/SAE  
CODE 61 SPLIT FLANGE CLAMPS  
SAE J518 / ISO 6162-1

PART. REF.	HOSE BORE			DIMENSIONS mm							
	DN	Dash	inch	B	A	C	D	E			
O83308-08				22.8	54.0	38.1	8.75	8.7			
O83308-12				25.9	65.0	47.6	10.75	11.1			
O83308-16				29.2	70.0	52.4	10.75	13.1			
O83308-20				36.3	79.0	58.7	12.0	15.1			
O83308-24				41.1	94.0	69.8	13.5	17.9			
O83308-32				48.2	102.0	77.8	13.5	21.4			
O83308-40				54.1	114.0	88.9	13.5	25.4			
O83308-48				65.3	135.0	106.4	16.75	31.0			
O83308-56				70.0	152.0	120.65	17.0	34.85			
O83308-64				75.0	160.0	130.18	17.0	38.9			

ACCESSORIES

# O83609



ISO/SAE  
CODE 62 SPLIT FLANGE CLAMPS  
SAE J518 / ISO 6162-2

PART. REF.	HOSE BORE			DIMENSIONS mm							
	DN	Dash	inch	B	A	C	D	E			
O83609-08				23.6	56.0	40.5	8.75	9.1			
O83609-12				30.0	71.0	50.8	11.0	11.9			
O83609-16				34.8	81.0	57.1	13.0	13.9			
O83609-20				38.6	95.0	66.7	15.0	15.9			
O83609-24				47.5	113.0	79.4	17.0	18.3			
O83609-32				56.9	133.0	96.8	21.0	22.2			